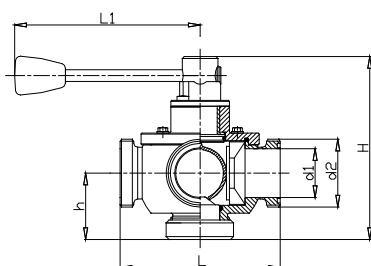
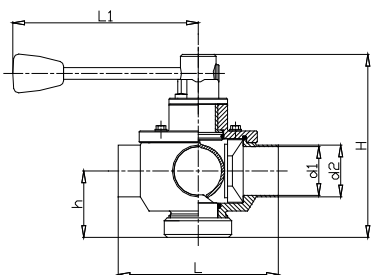


BOGENVENTILE ARC VALVES



SMS

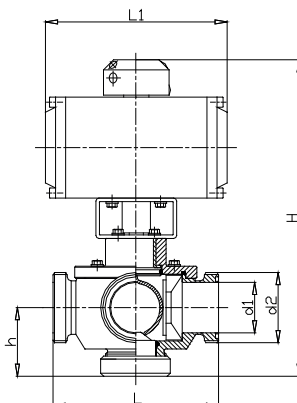
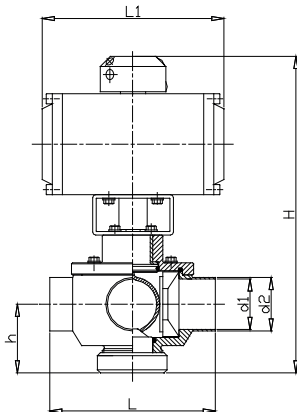
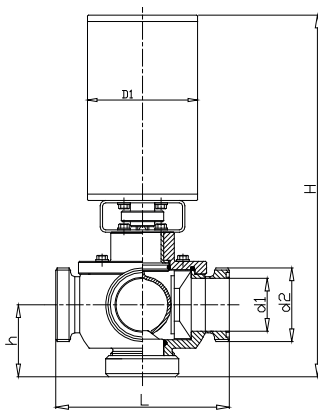
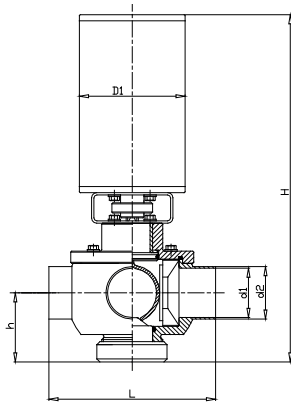
3-Wege Bogenventil Serie 21, manuell, Schweißende SMS 3-way arc valve series 21, manual, welded ends SMS

| DN | Typ Type | Ø d1 | Ø d2 | H | h | L | L1 |
|-----|------------------|------|-------|-----|-----|-----|-----|
| 25 | 25S53M21 | 22,5 | 25 | 145 | 50 | 110 | 160 |
| 38 | 38S53M21 | 35,5 | 38 | 180 | 65 | 140 | 160 |
| 51 | 51S53M21 | 48,5 | 51 | 190 | 70 | 164 | 190 |
| 63 | 63S53M21 | 60,5 | 63,5 | 200 | 75 | 210 | 190 |
| 76 | 76S53M21 | 72 | 76 | 215 | 80 | 220 | 190 |
| 102 | 102S53M21 | 97,6 | 101,6 | 265 | 110 | 310 | 270 |

3-Wege Bogenventil Serie 21, manuell, Gewinde SMS 1145 3-way arc valve series 21, manual, male ends SMS 1145

| DN | Typ Type | Ø d1 | Ø d2 | H | h | L | L1 |
|-----|-------------------|------|------|-----|-----|-----|-----|
| 25 | 25S530M21 | 22,5 | 40 | 145 | 50 | 110 | 160 |
| 38 | 38S530M21 | 35,5 | 60 | 180 | 65 | 140 | 160 |
| 51 | 51S530M21 | 48,5 | 70 | 190 | 70 | 164 | 190 |
| 63 | 63S530M21 | 60,5 | 85 | 200 | 75 | 210 | 190 |
| 76 | 76S530M21 | 72 | 98 | 215 | 80 | 220 | 190 |
| 102 | 102S530M21 | 97,6 | 132 | 265 | 110 | 310 | 270 |

BOGENVENTILE ARC VALVES



SMS

3-Wege Bogenventil Serie 21, pneumatisch (L/L - L/F), Schweißende SMS 3-way arc valve series 21, pneumatic (air/air - air/spring), welded ends SMS

| DN | Typ Type | Ø d1 | Ø d2 | H | h | L | Ø D1 |
|-----|------------------|------|-------|-----|-----|-----|------|
| 25 | 25S53A21 | 22,5 | 25 | 300 | 50 | 110 | 89 |
| 38 | 38S53A21 | 35,5 | 38 | 335 | 65 | 140 | 89 |
| 51 | 51S53A21 | 48,5 | 51 | 340 | 70 | 164 | 104 |
| 63 | 63S53A21 | 60,5 | 63,5 | 355 | 75 | 210 | 104 |
| 76 | 76S53A21 | 72 | 76 | 422 | 80 | 220 | 129 |
| 102 | 102S53A21 | 97,6 | 101,6 | 474 | 110 | 310 | 129 |

3-Wege Bogenventil Serie 21, pneumatisch (L/L - L/F), Gewinde SMS 1145 3-way arc valve series 21, pneumatic (air/air - air/spring), male ends SMS 1145

| DN | Typ Type | Ø d1 | Ø d2 | H | h | L | Ø D1 |
|-----|-------------------|------|------|-----|-----|-----|------|
| 25 | 25S530A21 | 22,5 | 40 | 300 | 50 | 110 | 89 |
| 38 | 38S530A21 | 35,5 | 60 | 335 | 65 | 140 | 89 |
| 51 | 51S530A21 | 48,5 | 70 | 340 | 70 | 164 | 104 |
| 63 | 63S530A21 | 60,5 | 85 | 355 | 75 | 210 | 104 |
| 76 | 76S530A21 | 72 | 98 | 422 | 80 | 220 | 129 |
| 102 | 102S530A21 | 97,6 | 132 | 474 | 110 | 310 | 129 |

3-Wege Bogenventil Serie 21, pneumatisch (L/L - L/F), Schweißende SMS 3-way arc valve series 21, pneumatic (air/air - air/spring), welded ends SMS

| DN | Typ Type | Ø d1 | Ø d2 | H | h | L | L1 |
|-----|-------------------|------|-------|-----|-----|-----|-----|
| 25 | 25S53Ab21 | 22,5 | 25 | 287 | 50 | 110 | 161 |
| 38 | 38S53Ab21 | 35,5 | 38 | 320 | 65 | 140 | 161 |
| 51 | 51S53Ab21 | 48,5 | 51 | 328 | 70 | 164 | 161 |
| 63 | 63S53Ab21 | 60,5 | 63,5 | 342 | 75 | 210 | 161 |
| 76 | 76S53Ab21 | 72 | 76 | 370 | 80 | 220 | 209 |
| 102 | 102S53Ab21 | 97,6 | 101,6 | 423 | 110 | 310 | 209 |

Pneumatiktrieb mit Aluminiumgehäuse – Serie B, Gehäuse mit PTFE Beschichtung auf Anfrage
Pneumatic actuator with aluminium housing – series B, PTFE coated housing upon request

3-Wege Bogenventil Serie 21, pneumatisch (L/L - L/F), Gewinde SMS 1145 3-way arc valve series 21, pneumatic (air/air - air/spring), male ends SMS 1145

| DN | Typ Type | Ø d1 | Ø d2 | H | h | L | L1 |
|-----|--------------------|------|------|-----|-----|-----|-----|
| 25 | 25S530Ab21 | 22,5 | 40 | 287 | 50 | 110 | 161 |
| 38 | 38S530Ab21 | 35,5 | 60 | 320 | 65 | 140 | 161 |
| 51 | 51S530Ab21 | 48,5 | 70 | 328 | 70 | 164 | 161 |
| 63 | 63S530Ab21 | 60,5 | 85 | 342 | 75 | 210 | 161 |
| 76 | 76S530Ab21 | 72 | 98 | 370 | 80 | 220 | 209 |
| 102 | 102S530Ab21 | 97,6 | 132 | 423 | 110 | 310 | 209 |

Pneumatiktrieb mit Aluminiumgehäuse – Serie B, Gehäuse mit PTFE Beschichtung auf Anfrage
Pneumatic actuator with aluminium housing – series B, PTFE coated housing upon request