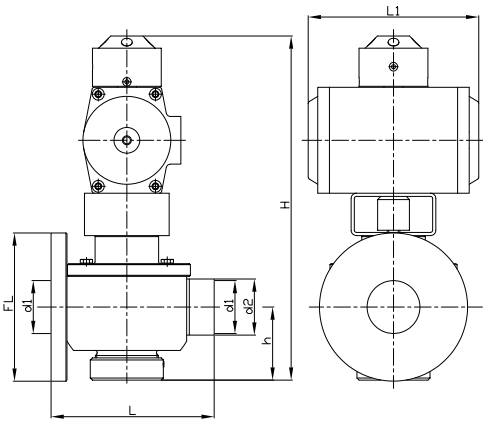
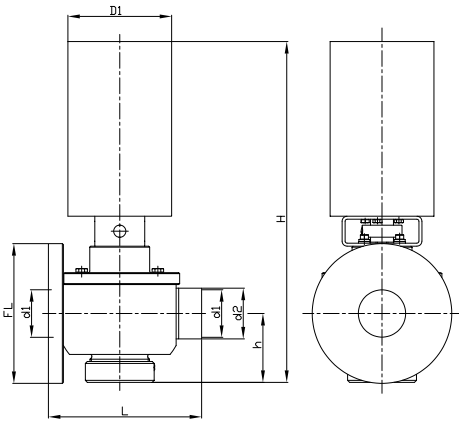
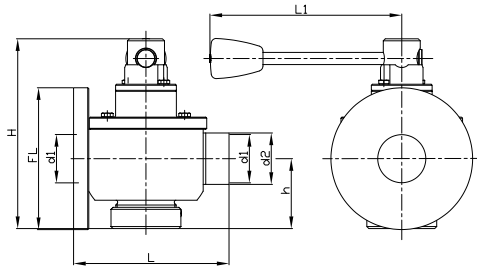


# CIP TANKAUSLASSVENTIL FLUSH BOTTOM TANK OUTLET VALVE



## DIN

### 2-Wege CIP Tankauslassventil Serie 22, manuell, Schweißende DIN 11850

2-way tank outlet valve series 22, manual, flush bottom / welded end DIN 11850

DN	Typ Type	Ød1	Ød2	ØFL	H	h	L	L1
25	<b>25DT52M22</b>	26	29	140	145	50	117	160
40	<b>40DT52M22</b>	38	41	140	180	65	142	160
50	<b>50DT52M22</b>	50	53	140	190	70	154	190
65	<b>65DT52M22</b>	66	70	140	215	80	199	190
80	<b>80DT52M22</b>	81	85	140	230	90	214	190
100	<b>100DT52M22</b>	100	104	140	265	110	244	270

### 2-Wege CIP Tankauslassventil Serie 22, pneumatisch, Schweißende DIN 11850

2-way tank outlet valve series 22, pneumatic, flush bottom / welded end DIN 11850

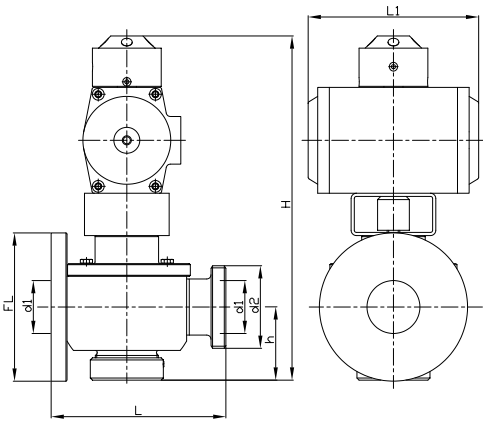
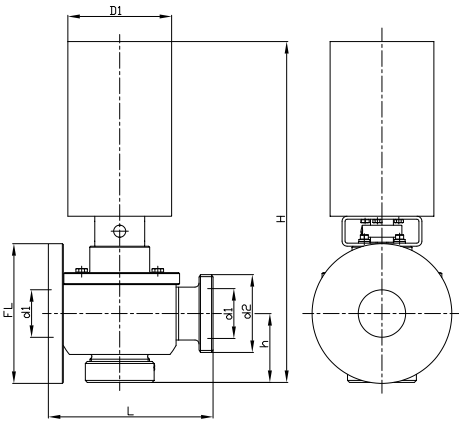
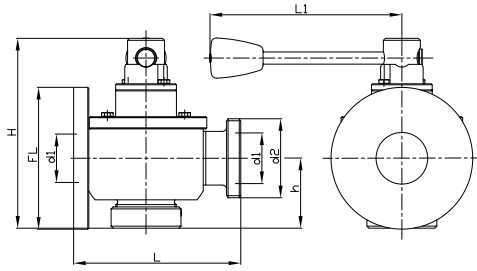
DN	Typ Type	Ød1	Ød2	ØFL	H	h	L	ØD1
25	<b>25DT52A22</b>	26	29	140	300	50	117	89
40	<b>40DT52A22</b>	38	41	140	335	65	142	89
50	<b>50DT52A22</b>	50	53	140	340	70	154	104
65	<b>65DT52A22</b>	66	70	140	422	80	199	104
80	<b>80DT52A22</b>	81	85	140	440	90	214	129
100	<b>100DT52A22</b>	100	104	140	474	110	244	129

### 2-Wege CIP Tankauslassventil Serie 22, pneumatisch, Schweißende DIN 11850

2-way tank outlet valve series 22, pneumatic, flush bottom / welded end DIN 11850

DN	Typ Type	Ød1	Ød2	ØFL	H	h	L	L1
25	<b>25DT52Ab22</b>	26	29	140	287	50	117	161
40	<b>40DT52Ab22</b>	38	41	140	320	65	142	161
50	<b>50DT52Ab22</b>	50	53	140	328	70	154	161
65	<b>65DT52Ab22</b>	66	70	140	370	80	199	161
80	<b>80DT52Ab22</b>	81	85	140	386	90	214	209
100	<b>100DT52Ab22</b>	100	104	140	423	110	244	209

# CIP TANKAUSLASSVENTIL FLUSH BOTTOM TANK OUTLET VALVE



## DIN

### 2-Wege CIP Tankauslassventil Serie 22, manuell, Gewinde DIN 11851

2-way tank outlet valve series 22, manual, flush bottom / male end DIN 11851

DN	Typ Type	Ød1	Ød2	ØFL	H	h	L	L1
25	<b>25DT520M22</b>	26	52	140	145	50	121	160
40	<b>40DT520M22</b>	38	65	140	180	65	144	160
50	<b>50DT520M22</b>	50	78	140	190	70	165	190
65	<b>65DT520M22</b>	66	95	140	215	80	205	190
80	<b>80DT520M22</b>	81	110	140	230	90	230	190
100	<b>100DT520M22</b>	100	130	140	265	110	269	270

### 2-Wege CIP Tankauslassventil Serie 22, pneumatisch, Gewinde DIN 11851

2-way tank outlet valve series 22, pneumatic, flush bottom / male end DIN 11851

DN	Typ Type	Ød1	Ød2	ØFL	H	h	L	ØD1
25	<b>25DT520A22</b>	26	52	140	300	50	121	89
40	<b>40DT520A22</b>	38	65	140	335	65	144	89
50	<b>50DT520A22</b>	50	78	140	340	70	165	104
65	<b>65DT520A22</b>	66	95	140	422	80	205	104
80	<b>80DT520A22</b>	81	110	140	440	90	230	129
100	<b>100DT520A22</b>	100	130	140	474	110	269	129

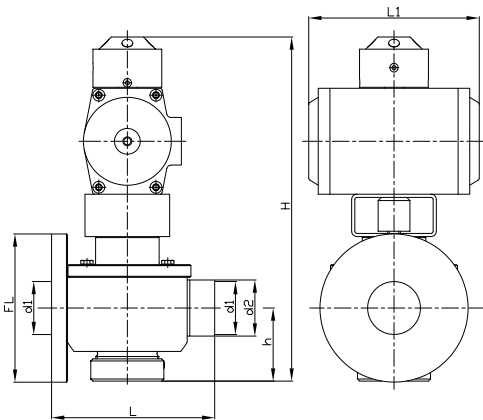
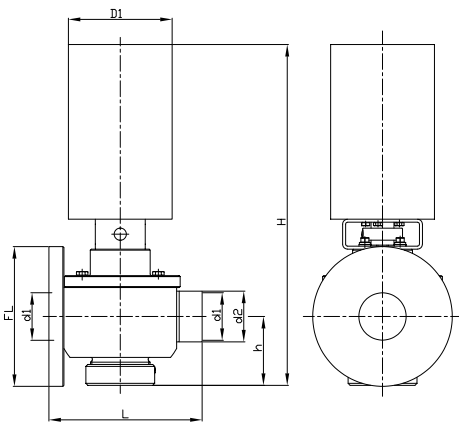
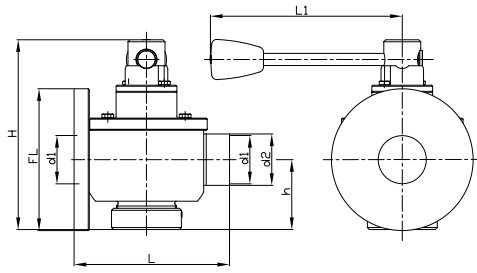
### 2-Wege CIP Tankauslassventil Serie 22, pneumatisch, Gewinde DIN 11851

2-way tank outlet valve series 22, pneumatic, flush bottom / male end DIN 11851

DN	Typ Type	Ød1	Ød2	ØFL	H	h	L	L1
25	<b>25DT520Ab22</b>	26	52	140	287	50	121	161
40	<b>40DT520Ab22</b>	38	65	140	320	65	144	161
50	<b>50DT520Ab22</b>	50	78	140	328	70	165	161
65	<b>65DT520Ab22</b>	66	95	140	370	80	205	161
80	<b>80DT520Ab22</b>	81	110	140	386	90	230	209
100	<b>100DT520Ab22</b>	100	130	140	423	110	269	209

# CIP TANKAUSLASSVENTIL FLUSH BOTTOM TANK OUTLET VALVE

Zoll / Inch



## 2-Wege CIP Tankauslassventil Serie 22, manuell, Schweißende

2-way tank outlet valve series 22, manual, flush bottom / welded end

DN	Typ Type	Ød1	Ød2	ØFL	H	h	L	L1
1"	<b>25CT52M22</b>	22,2	25,4	140	145	50	108	160
1½"	<b>38CT52M22</b>	34,9	38,1	140	180	65	132	160
2"	<b>51CT52M22</b>	47,5	50,8	140	190	70	154	190
2½"	<b>63CT52M22</b>	60,2	63,5	140	200	75	185	190
3"	<b>76CT52M22</b>	72,9	76,2	140	215	80	198	190
4"	<b>102CT52M22</b>	97,4	101,6	140	265	110	270	270

## 2-Wege CIP Tankauslassventil Serie 22, pneumatisch, Schweißende

2-way tank outlet valve series 22, pneumatic, flush bottom / welded end

DN	Typ Type	Ød1	Ød2	ØFL	H	h	L	ØD1
1"	<b>25CT52A22</b>	22,2	25,4	140	300	50	108	89
1½"	<b>38CT52A22</b>	34,9	38,1	140	335	65	132	89
2"	<b>51CT52A22</b>	47,5	50,8	140	340	70	154	104
2½"	<b>63CT52A22</b>	60,2	63,5	140	355	75	185	104
3"	<b>76CT52A22</b>	72,9	76,2	140	422	80	198	129
4"	<b>102CT52A22</b>	97,4	101,6	140	474	110	270	129

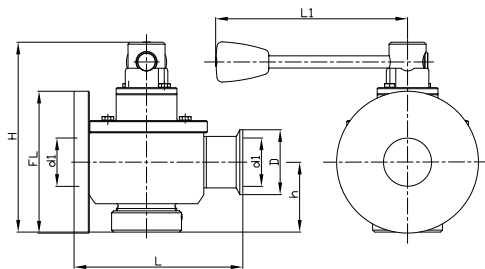
## 2-Wege CIP Tankauslassventil Serie 22, pneumatisch, Schweißende

2-way tank outlet valve series 22, pneumatic, flush bottom / welded end

DN	Typ Type	Ød1	Ød2	ØFL	H	h	L	L1
1"	<b>25CT52Ab22</b>	22,2	25,4	140	287	50	108	161
1½"	<b>38CT52Ab22</b>	34,9	38,1	140	320	65	132	161
2"	<b>51CT52Ab22</b>	47,5	50,8	140	328	70	154	161
2½"	<b>63CT52Ab22</b>	60,2	63,5	140	342	75	185	161
3"	<b>76CT52Ab22</b>	72,9	76,2	140	370	80	198	209
4"	<b>102CT52Ab22</b>	97,4	101,6	140	423	110	270	209

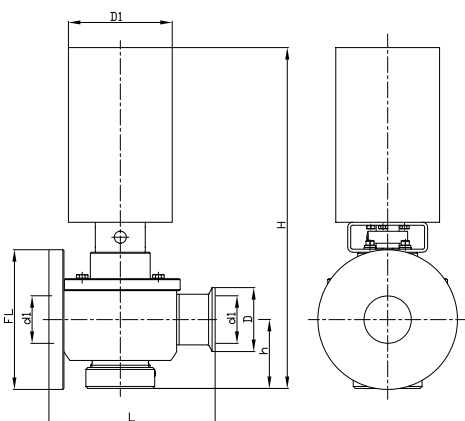
# CIP TANKAUSLASSVENTIL FLUSH BOTTOM TANK OUTLET VALVE

Zoll / Inch



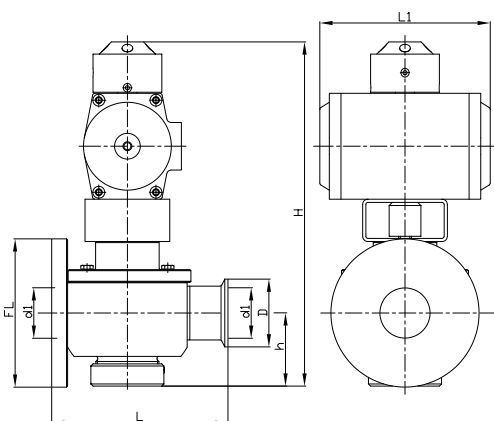
**2-Wege CIP Tankauslassventil Serie 22, manuell, TC-Clamp**  
2-way tank outlet valve series 22, manual, flush bottom / TC-clamp

DN	Typ Type	Ød1	Ød2	ØFL	H	h	L	L1
1"	<b>25CT520M22</b>	22,2	25,4	140	145	50	121	160
1½"	<b>38CT520M22</b>	34,9	38,1	140	180	65	144	160
2"	<b>51CT520M22</b>	47,5	50,8	140	190	70	166	190
2½"	<b>63CT520M22</b>	60,2	63,5	140	200	75	197	190
3"	<b>76CT520M22</b>	72,9	76,2	140	215	80	210	190
4"	<b>102CT520M22</b>	97,4	101,6	140	265	110	282	270



**2-Wege CIP Tankauslassventil Serie 22, pneumatisch, TC-Clamp**  
2-way tank outlet valve series 22, pneumatic, flush bottom / TC-clamp

DN	Typ Type	Ød1	Ød2	ØFL	H	h	L	ØD1
1"	<b>25CT520A22</b>	22,2	25,4	140	300	50	121	89
1½"	<b>38CT520A22</b>	34,9	38,1	140	335	65	144	89
2"	<b>51CT520A22</b>	47,5	50,8	140	340	70	166	104
2½"	<b>63CT520A22</b>	60,2	63,5	140	355	75	197	104
3"	<b>76CT520A22</b>	72,9	76,2	140	422	80	210	129
4"	<b>102CT520A22</b>	97,4	101,6	140	474	110	282	129



**2-Wege CIP Tankauslassventil Serie 22, pneumatisch, TC-Clamp**  
2-way tank outlet valve series 22, pneumatic, flush bottom / TC-clamp

DN	Typ Type	Ød1	Ød2	ØFL	H	h	L	L1
1"	<b>25CT520Ab22</b>	22,2	25,4	140	287	50	121	161
1½"	<b>38CT520Ab22</b>	34,9	38,1	140	320	65	144	161
2"	<b>51CT520Ab22</b>	47,5	50,8	140	328	70	166	161
2½"	<b>63CT520Ab22</b>	60,2	63,5	140	342	75	197	161
3"	<b>76CT520Ab22</b>	72,9	76,2	140	370	80	210	209
4"	<b>102CT520Ab22</b>	97,4	101,6	140	423	110	282	209

4