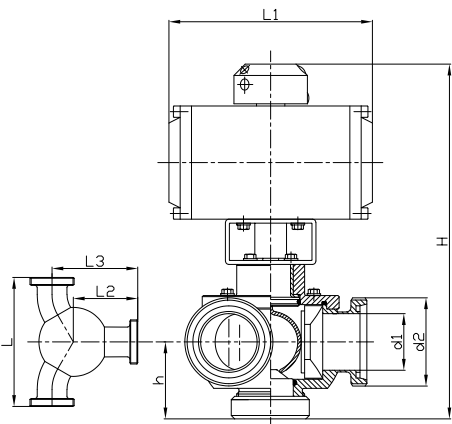
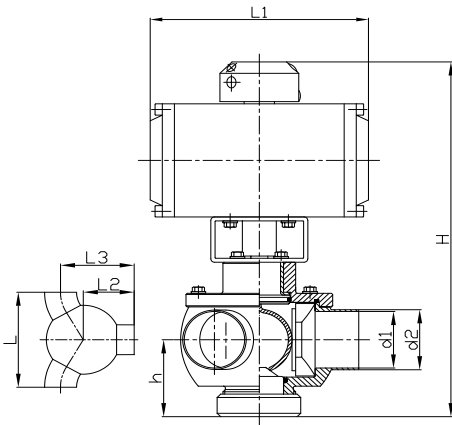
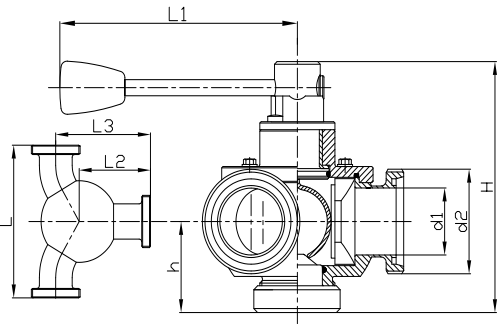
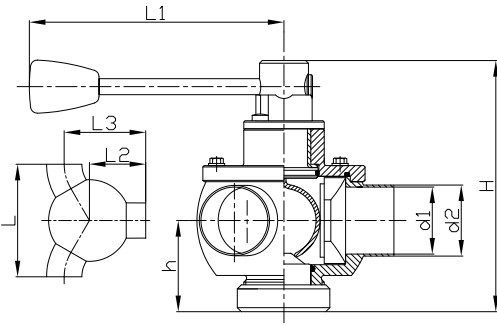


MOLCHWEICHEN PIGGING VALVES



DIN

90°/120° Molchweiche, manuell, Schweißende DIN 11850 90°/120° pigging valve, manual, welded ends DIN 11850

| DN | Typ Type | Ød1 | Ød2 | H | h | L | L1 | L2 | L3 |
|-----|-------------------|-----|-----|-----|-----|-----|-----|------|-----|
| 40 | 40DV53M22 | 38 | 41 | 180 | 65 | 135 | 160 | 67,5 | 100 |
| 50 | 50DV53M22 | 50 | 53 | 190 | 70 | 154 | 190 | 77 | 113 |
| 65 | 65DV53M22 | 66 | 70 | 215 | 80 | 204 | 190 | 102 | 151 |
| 80 | 80DV53M22 | 81 | 85 | 230 | 90 | 232 | 190 | 116 | 172 |
| 100 | 100DV53M22 | 100 | 104 | 265 | 110 | 260 | 270 | 130 | 194 |

90°/120° Molchweiche, manuell, Gewinde DIN 11851 90°/120° pigging valve, manual, male ends DIN 11851

| DN | Typ Type | Ød1 | Ød2 | H | h | L | L1 | L2 | L3 |
|-----|--------------------|-----|-----|-----|-----|-----|-----|-------|-----|
| 40 | 40DV530M22 | 38 | 65 | 180 | 65 | 189 | 160 | 94,5 | 127 |
| 50 | 50DV530M22 | 50 | 78 | 190 | 70 | 217 | 190 | 108,5 | 144 |
| 65 | 65DV530M22 | 66 | 95 | 215 | 80 | 263 | 190 | 131,5 | 180 |
| 80 | 80DV530M22 | 81 | 110 | 230 | 90 | 290 | 190 | 145 | 201 |
| 100 | 100DV530M22 | 100 | 130 | 265 | 110 | 336 | 270 | 168 | 232 |

90°/120° Molchweiche, pneumatisch (L/L), Schweißende DIN 11850 90°/120° pigging valve, pneumatic (air/air), welded ends DIN 11850

| DN | Typ Type | Ød1 | Ød2 | H | h | L | L1 | L2 | L3 |
|-----|--------------------|-----|-----|-----|-----|-----|-----|------|-----|
| 40 | 40DV53Ab22 | 38 | 41 | 320 | 65 | 135 | 182 | 67,5 | 100 |
| 50 | 50DV53Ab22 | 50 | 53 | 328 | 70 | 154 | 182 | 77 | 113 |
| 65 | 65DV53Ab22 | 66 | 70 | 370 | 80 | 204 | 236 | 102 | 151 |
| 80 | 80DV53Ab22 | 81 | 85 | 386 | 90 | 232 | 236 | 116 | 172 |
| 100 | 100DV53Ab22 | 100 | 104 | 423 | 110 | 260 | 236 | 130 | 194 |

Pneumatiktrieb mit Aluminiumgehäuse - Serie B, Gehäuse mit PTFE Beschichtung auf Anfrage
Pneumatic actuator with aluminium housing - series B, PTFE coated housing upon request

90°/120° Molchweiche, pneumatisch (L/L), Gewinde DIN 11851 90°/120° pigging valve, pneumatic (air/air), male ends DIN 11851

| DN | Typ Type | Ød1 | Ød2 | H | h | L | L1 | L2 | L3 |
|-----|---------------------|-----|-----|-----|-----|-----|-----|-------|-----|
| 40 | 40DV530Ab22 | 38 | 65 | 320 | 65 | 189 | 182 | 94,5 | 127 |
| 50 | 50DV530Ab22 | 50 | 78 | 328 | 70 | 217 | 182 | 108,5 | 144 |
| 65 | 65DV530Ab22 | 66 | 95 | 370 | 80 | 263 | 236 | 131,5 | 180 |
| 80 | 80DV530Ab22 | 81 | 110 | 386 | 90 | 290 | 236 | 145 | 201 |
| 100 | 100DV530Ab22 | 100 | 130 | 423 | 110 | 336 | 236 | 168 | 232 |

Pneumatiktrieb mit Aluminiumgehäuse - Serie B, Gehäuse mit PTFE Beschichtung auf Anfrage
Pneumatic actuator with aluminium housing - series B, PTFE coated housing upon request